

Water proof wall mount Bracket - INSX204B

Material: Aluminum

Dimensions: 160mm x 122mm x 76mm

Color: Black

Type of Installation: Wall

Net Weight: 0.49kg

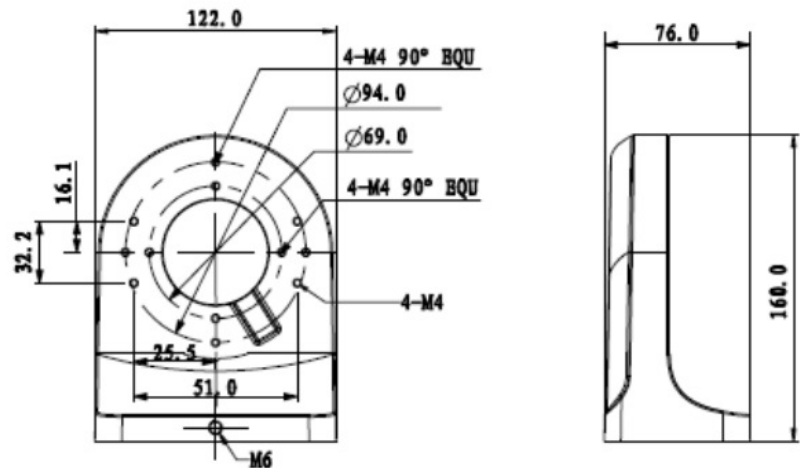
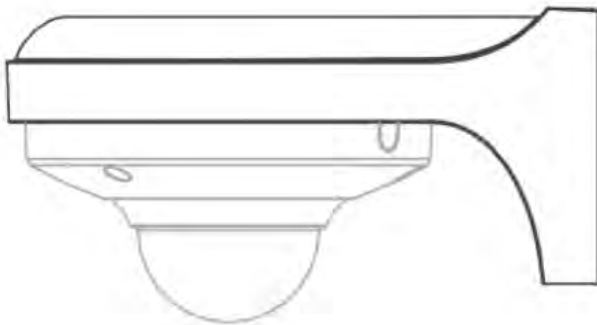
Load Bearing Capacity: 1kg

Work with: INSX152



Dimensions (mm)

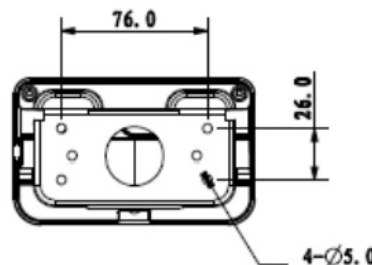
Applications



Work with:



INSX152



*Design and specifications are subjects to change without notice.